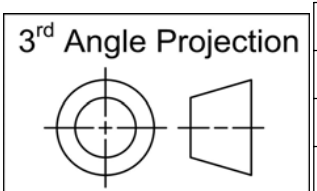
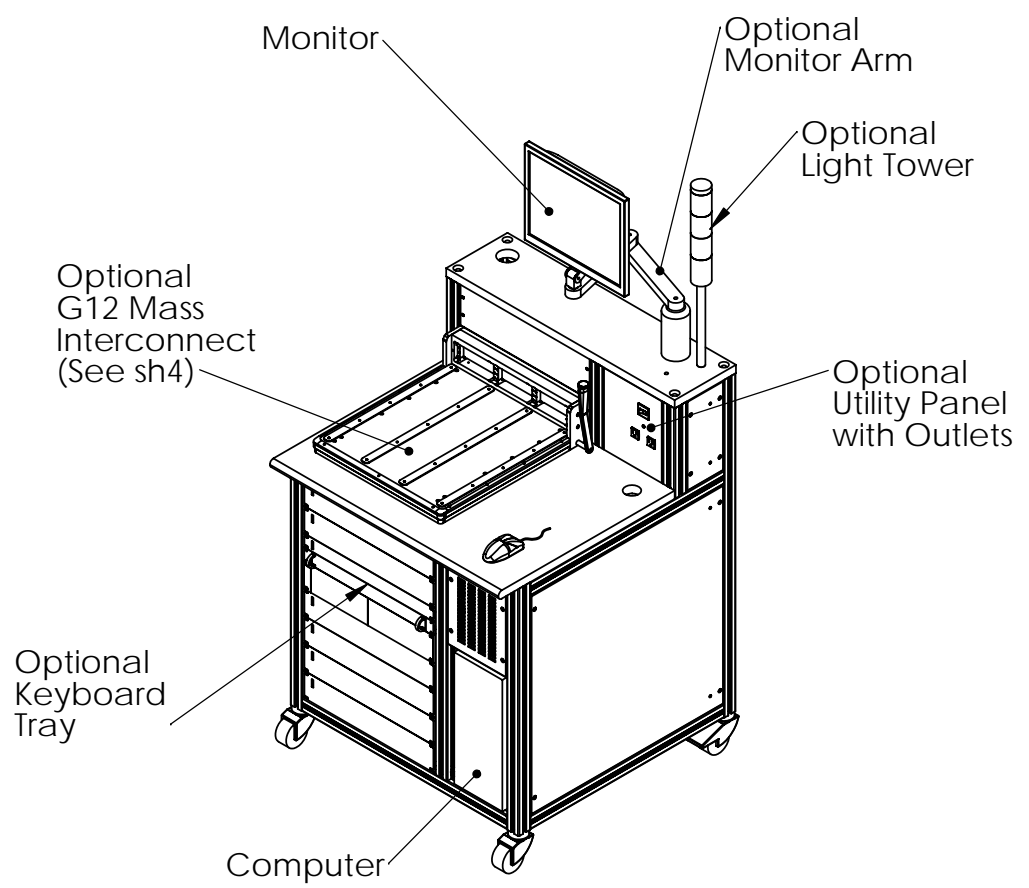
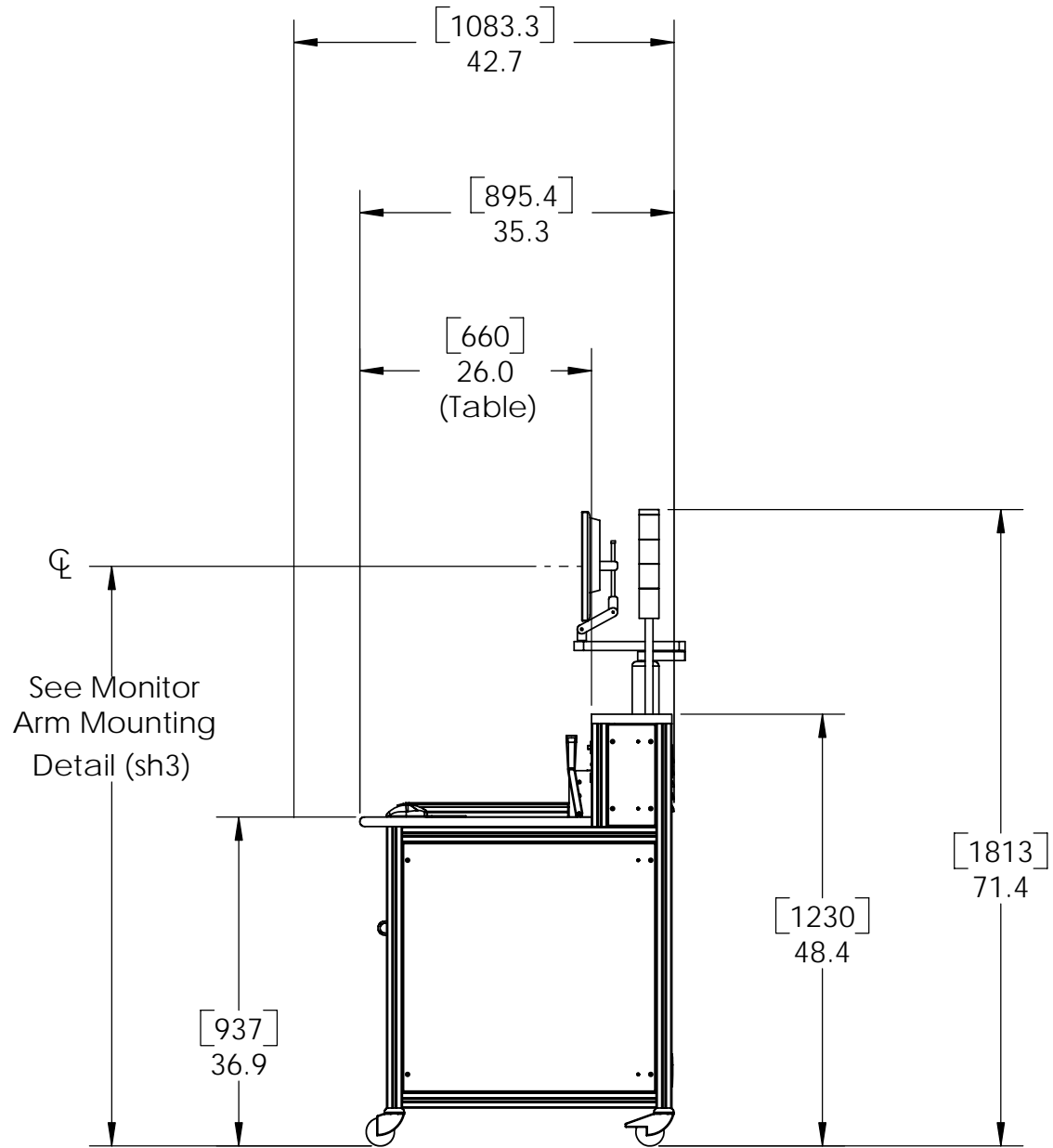


Front View



PROPRIETARY AND CONFIDENTIAL
 THE INFORMATION CONTAINED IN THIS DRAWING IS THE SOLE PROPERTY OF CAL-BAY SYSTEMS INCORPORATED. ANY REPRODUCTION IN PART OR AS A WHOLE WITHOUT THE WRITTEN PERMISSION OF CAL-BAY SYSTEMS INCORPORATED IS PROHIBITED.

		UNLESS OTHERWISE SPECIFIED:		NAME	DATE	CAL-BAY SYSTEMS, INC. Title Flex-ATE Envelope Drawing
		DIMENSIONS ARE IN [METRIC] INCHES		DRAWN	csb 3/10/2008	
		TOLERANCES: ANGULAR: ±2° TWO PLACE DECIMAL [±2.54] ±.1		CHECKED	- -	
		INTERPRET GEOMETRIC TOLERANCING PER: ANSI Y14.5 1982		ENG APPR.	- -	
		MATERIAL		MFG APPR.	- -	SIZE B DWG. NO. 11590-2001-ed REV 1
NEXT ASSY	USED ON	FINISH		Q.A.	- -	
APPLICATION		DO NOT SCALE DRAWING		SCALE: 1:50		SHEET 1 OF 4

8 7 6 5 4 3 2 1

D

D

C

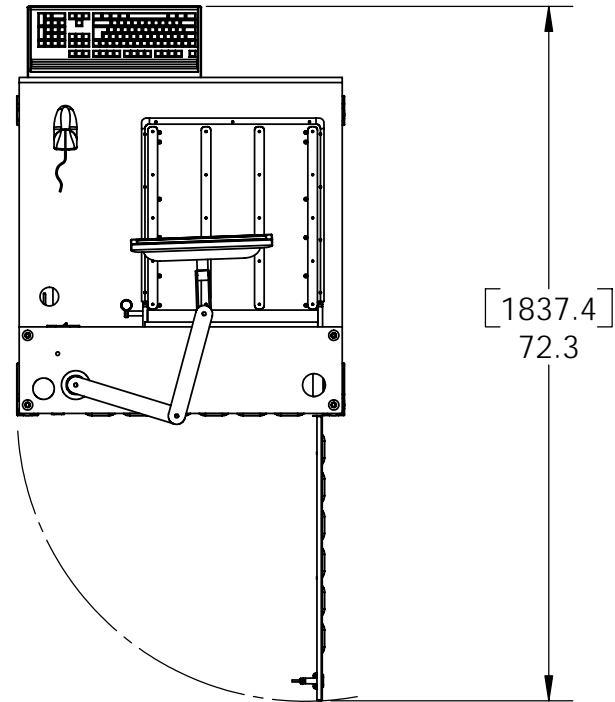
C

B

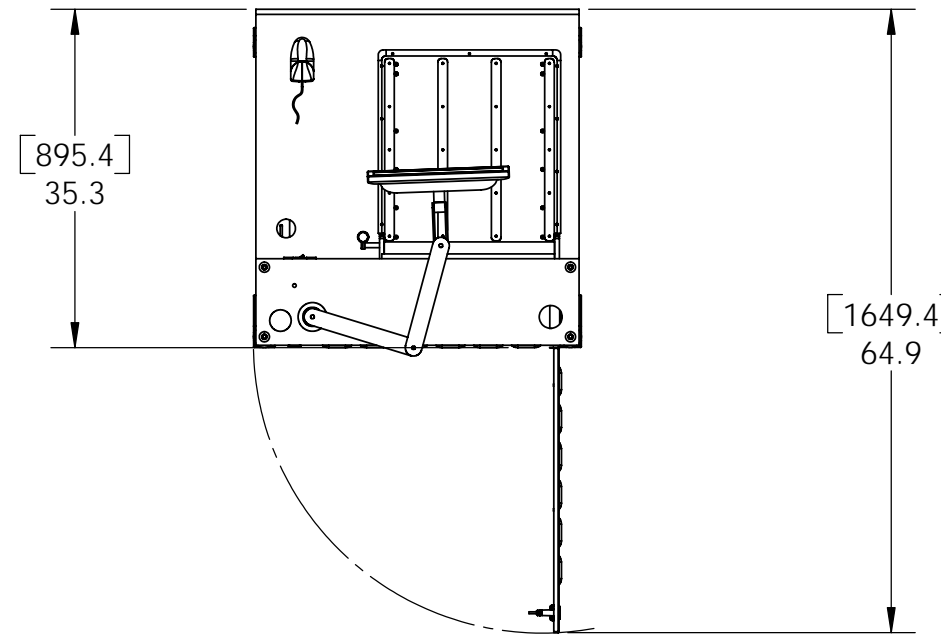
B

A

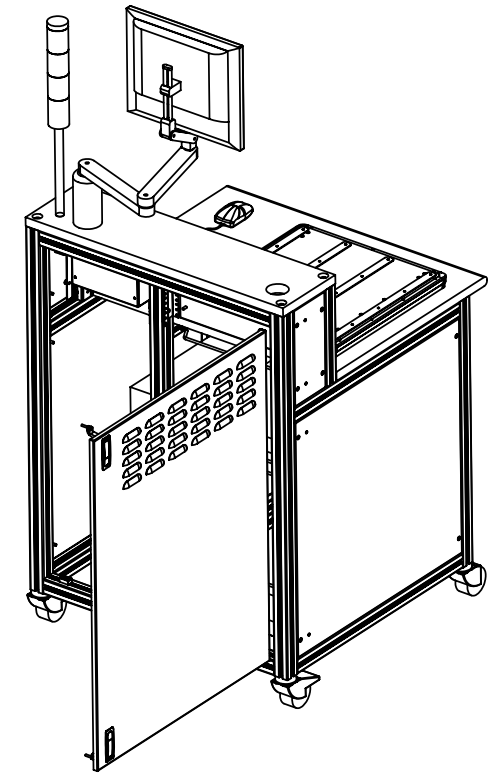
A



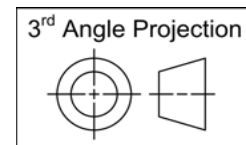
Rear Door Open with Keyboard Tray Option



Rear Door Open (no Keyboard Tray Option)



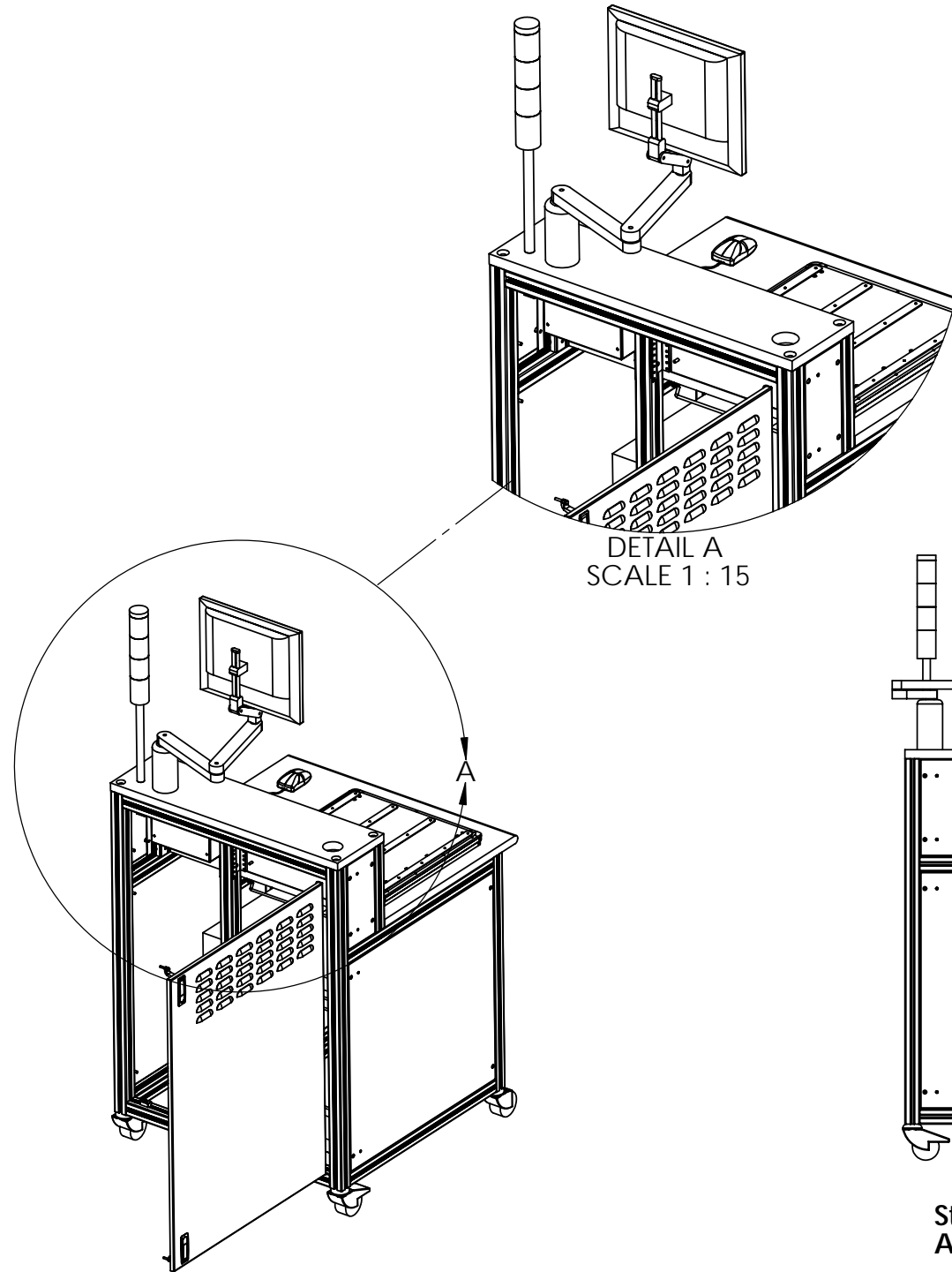
Rear Door Open with Keyboard Tray Option



PROPRIETARY AND CONFIDENTIAL THE INFORMATION CONTAINED IN THIS DRAWING IS THE SOLE PROPERTY OF CAL-BAY SYSTEMS INCORPORATED. ANY REPRODUCTION IN PART OR AS A WHOLE WITHOUT THE WRITTEN PERMISSION OF CAL-BAY SYSTEMS INCORPORATED IS PROHIBITED.			CAL-BAY SYSTEMS, INC.		
SIZE	DWG. NO.	REV			
B	11590-2001-ed	1			
DO NOT SCALE DRAWING			SCALE: 1:2	SHEET 2 OF 4	

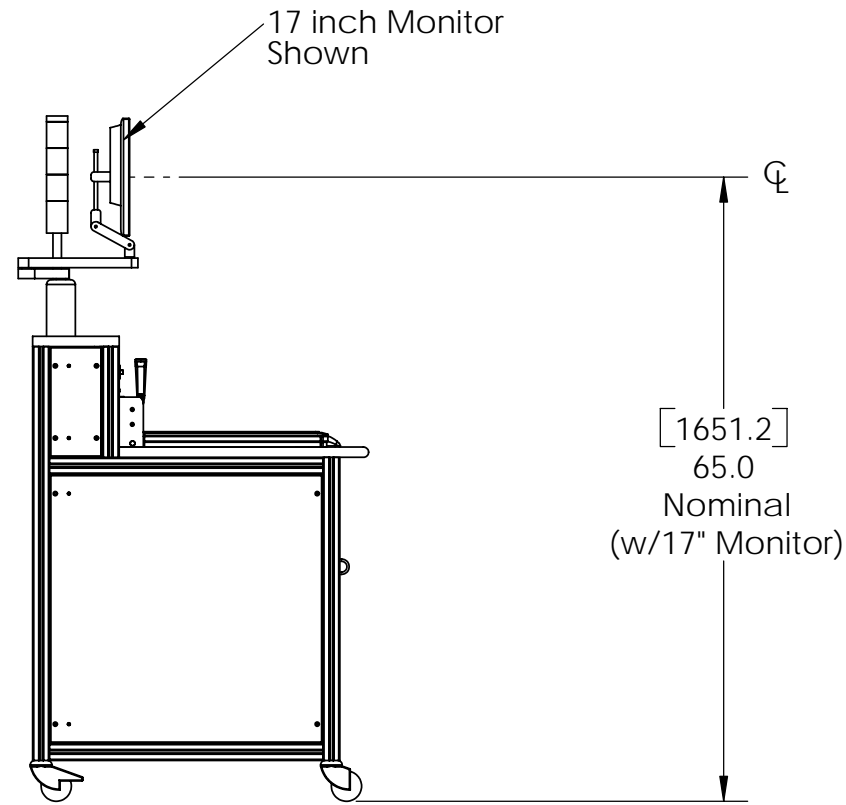
8 7 6 5 4 3 2 1

Optional Monitor Arm Details

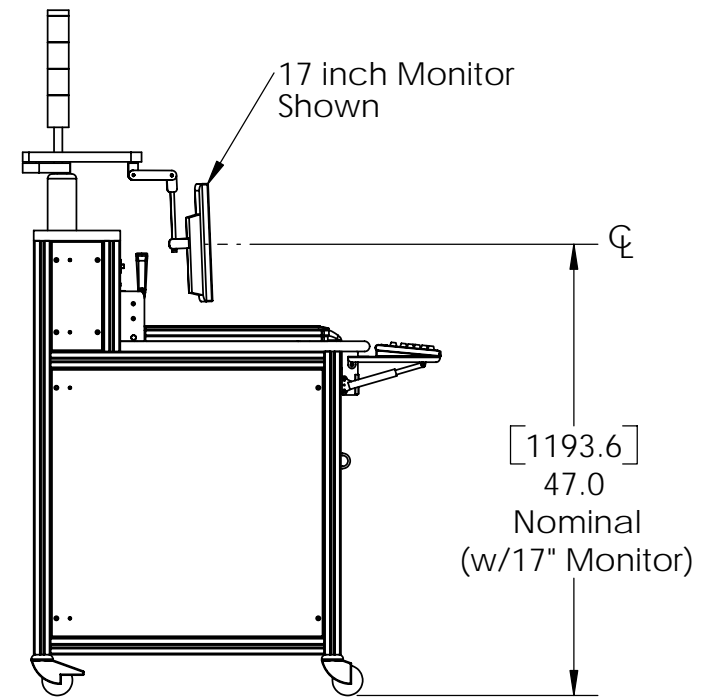


DETAIL A
SCALE 1 : 15

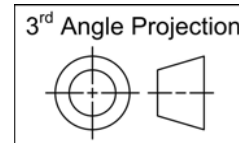
Rear Door Open
with Keyboard Tray Option



Standard Monitor
Arm Mounting



Optional Reversed
Monitor Arm Mounting

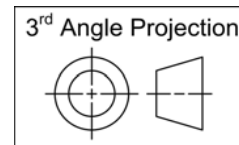
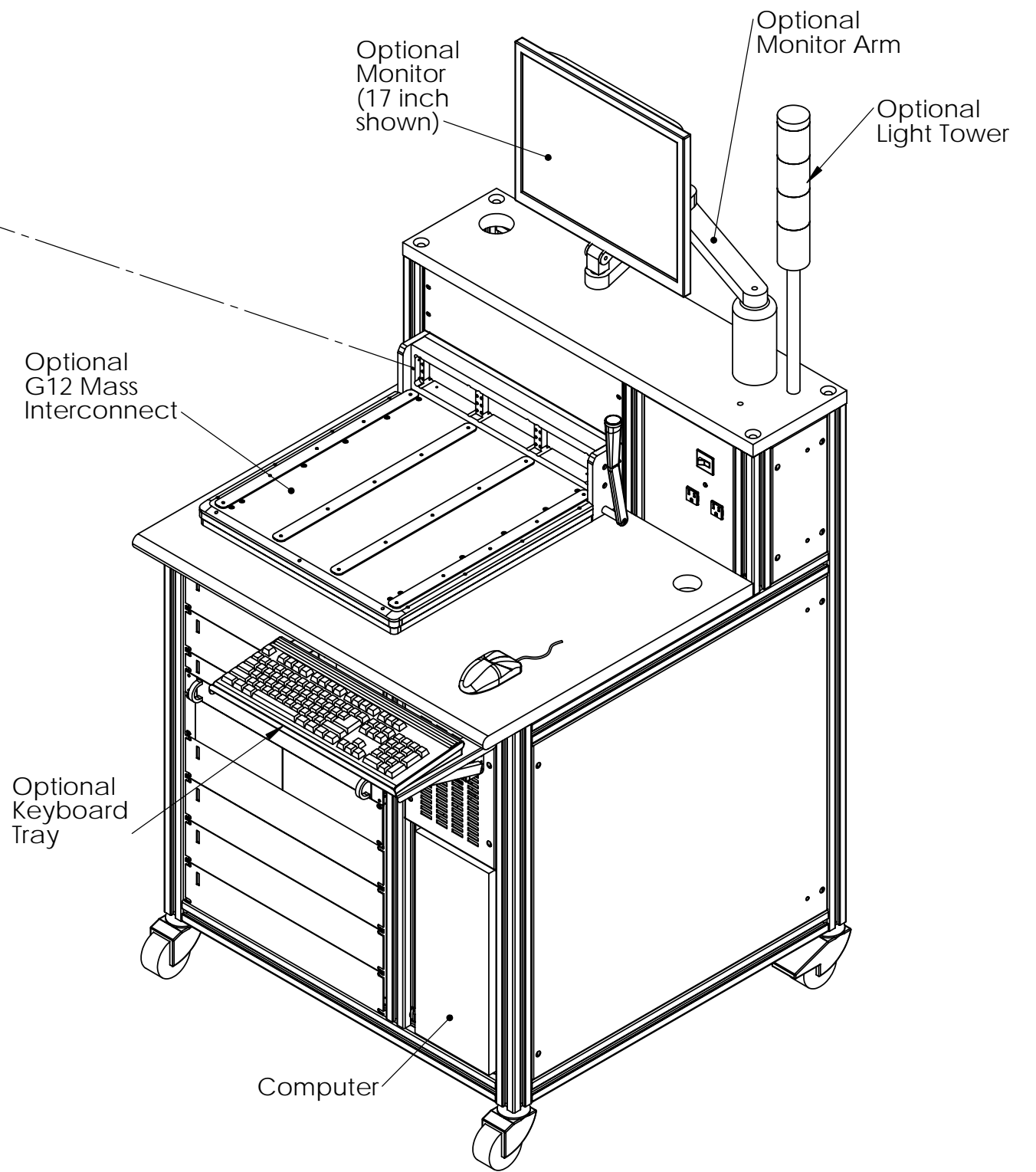


PROPRIETARY AND CONFIDENTIAL
THE INFORMATION CONTAINED IN THIS
DRAWING IS THE SOLE PROPERTY OF
CAL-BAY SYSTEMS INCORPORATED. ANY
REPRODUCTION IN PART OR AS A WHOLE
WITHOUT THE WRITTEN PERMISSION OF
CAL-BAY SYSTEMS INCORPORATED IS
PROHIBITED.

CAL-BAY SYSTEMS, INC.

SIZE B	DWG. NO. 11590-2001-ed	REV 1
DO NOT SCALE DRAWING		SCALE: 1:2
		SHEET 3 OF 4

Mass Interconnect Receiver Layout		
Block 1	Block 2	Block 3
Block 4	Block 5	Block 6
Block 7	Block 8	Block 9
Block 10	Block 11	Block 12



PROPRIETARY AND CONFIDENTIAL THE INFORMATION CONTAINED IN THIS DRAWING IS THE SOLE PROPERTY OF CAL-BAY SYSTEMS INCORPORATED. ANY REPRODUCTION IN PART OR AS A WHOLE WITHOUT THE WRITTEN PERMISSION OF CAL-BAY SYSTEMS INCORPORATED IS PROHIBITED.		CAL-BAY SYSTEMS, INC.	
SIZE B	DWG. NO. 11590-2001-ed	REV 1	
DO NOT SCALE DRAWING		SCALE: 1:2	SHEET 4 OF 4